

REFRIGERATOR MANUFACTURER
Turbo air

Turbo Air Speed up the Pace of Innovation

CAUTION!
PLEASE KEEP POWER
SWITCH ON BEFORE
OPERATING THIS EQUIPMENT

Display Merchandiser Service Manual

Please read this manual completely before attempting to install or operate this equipment!

TCDD-36-2-H	TCDD-36-2-L
TCDD-48-2-H	TCDD-48-2-L
TCDD-72-2-H	TCDD-72-2-L
TCDD-96-4-H	TCDD-96-4-L

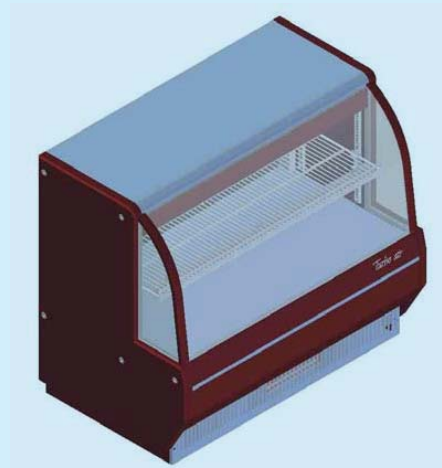
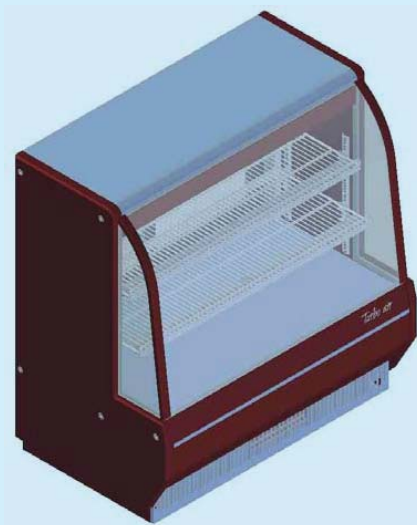


TABLE OF CONTENTS

◇ MAIN COMPONENTS

1. Compressor
2. Overload protector
3. Starting capacitor, Run capacitor
4. Condenser fan motor, evaporator motor
5. Thermostat(Refrigeration controller)
6. LED Lamp, Power supply
7. Ballast

◇ WIRING DIAGRAM

◇ TEMPERATURE CONTROL INSTRUCTION

◇ PART NAME

◇ PART LIST

◇ PART ORDER EXAMPLE

◇ MAIN COMPONENTS

1. Compressor

Manufacturer	SAMSUNG.	Tecumseh.
Designation	HK6A1C2U	CAJ4476Y
Electrical Rating	5.6 A	11.0 A
V, Hz, Phase	115 V, 60 Hz, 1 Ph	
LRA	28.0 A	54 A
Refrigerant	R-134a	

2. Overload Protector

Manufacturer		
Model or Designation	4TM801SFBZZ-53	CAR38014-3057

3. Starting Capacitor, Run Capacitor

Rating, uF, V		250uF, 160v
Rating, uF, V	20uF, 350 V	

4. Condenser Fan Motor, Evaporator Fan Motor

Manufacturer	Geenam Electric
Model	SE-043
Rating V, Hz, Phase, A or W	115 V, 60 Hz, 1 Ph, 0.8 A, 9 W

5. Thermostat (Refrigeration Controller)

Manufacturer	Q-MAX
Designation	QGTM-24HJ
Electrical Rating, Minimum V, FLA, LRA	Output: 250 V ac, 1 A

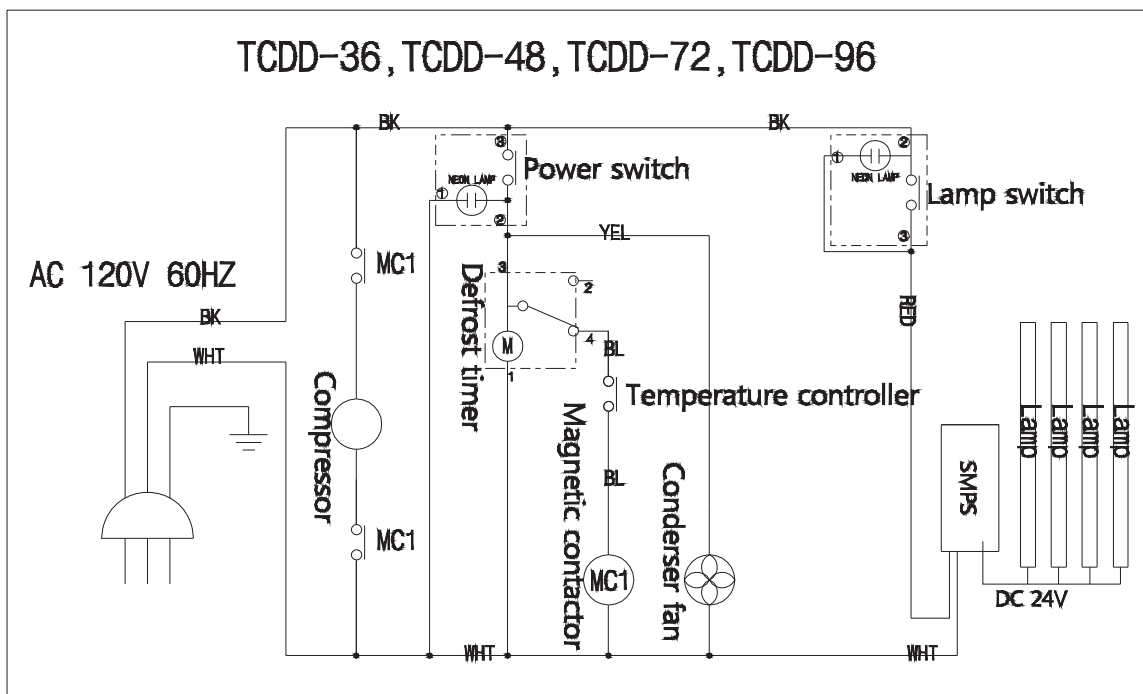
6. LED LAMP, POWER SUPPLY

	LED LAMP			POWER SUPPLY SMPS
	LENGTH	WATT	EACH	
TCDD-36-2-H(*)	800 mm	9.6 W	3 EA	NES-50-24, LS50-24
TCDD-48-2-H(*)	1100 mm	13.2 W	3 EA	NES-75-24, LS75-24
TCDD-72-2H(*)	1700 mm	20.4 W	3 EA	NES-100-24, LS100-24
TCDD-96-4H(*)	1100 mm	13.2 W	6 EA	NES-150-24, LS150-24
TCDD-36-2-L(*)	800 mm	9.6 W	2.EA	NES-35-24, LS35-24
TCDD-48-2-L(*)	1100 mm	13.2 W	2EA	NES-50-24, LS50-24
TCDD-72-2-L(*)	1700 mm	20.4 W	2.EA	NES-75-24, LS75-24
TCDD-96-4-L(*)	1100 mm	13.2 W	4.EA	NES-75-24, LS75-24

7. Ballast

Manufacturer	HENGDIAN GROUP TOSPO LIGHTING CO., Ltd	FOSHAN TEYUAN ELECTRONIC SCIENCE & TECHNOLOGY CO., Ltd
Model	TP120-3/32ISPC	TBE-34CFW
Rating V, A	120 V~, 60Hz, 1 A,	120 V~, 60Hz, 1 A,

◇ WIRING DIAGRAM



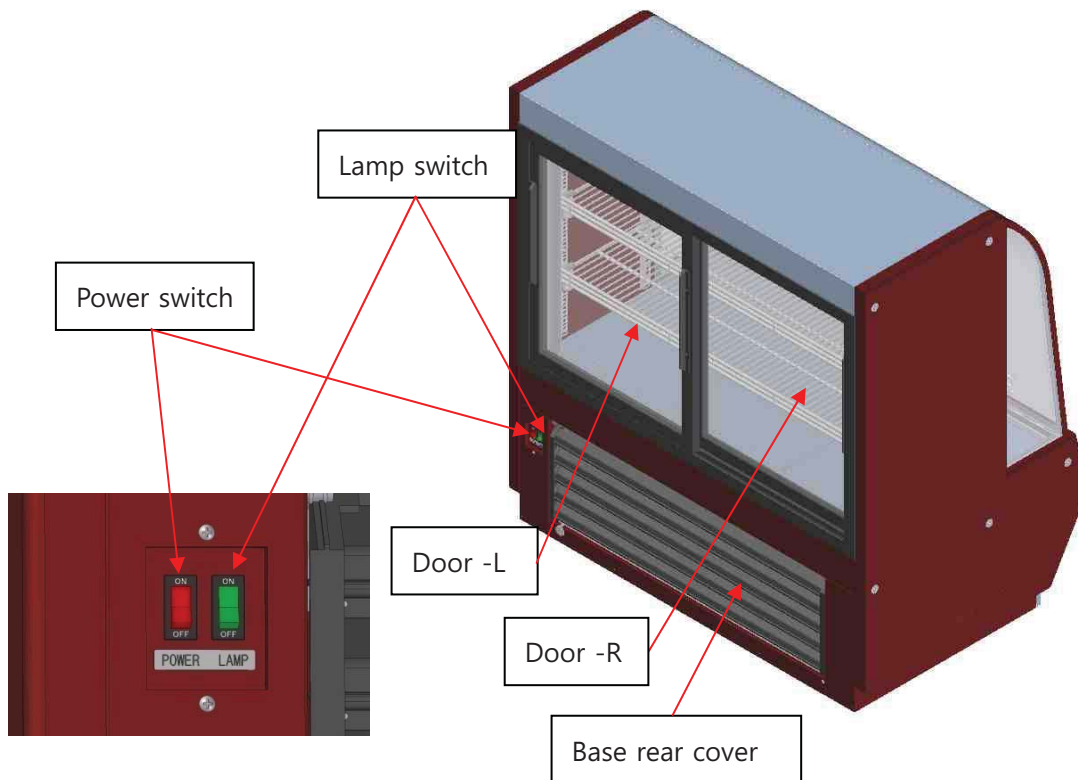
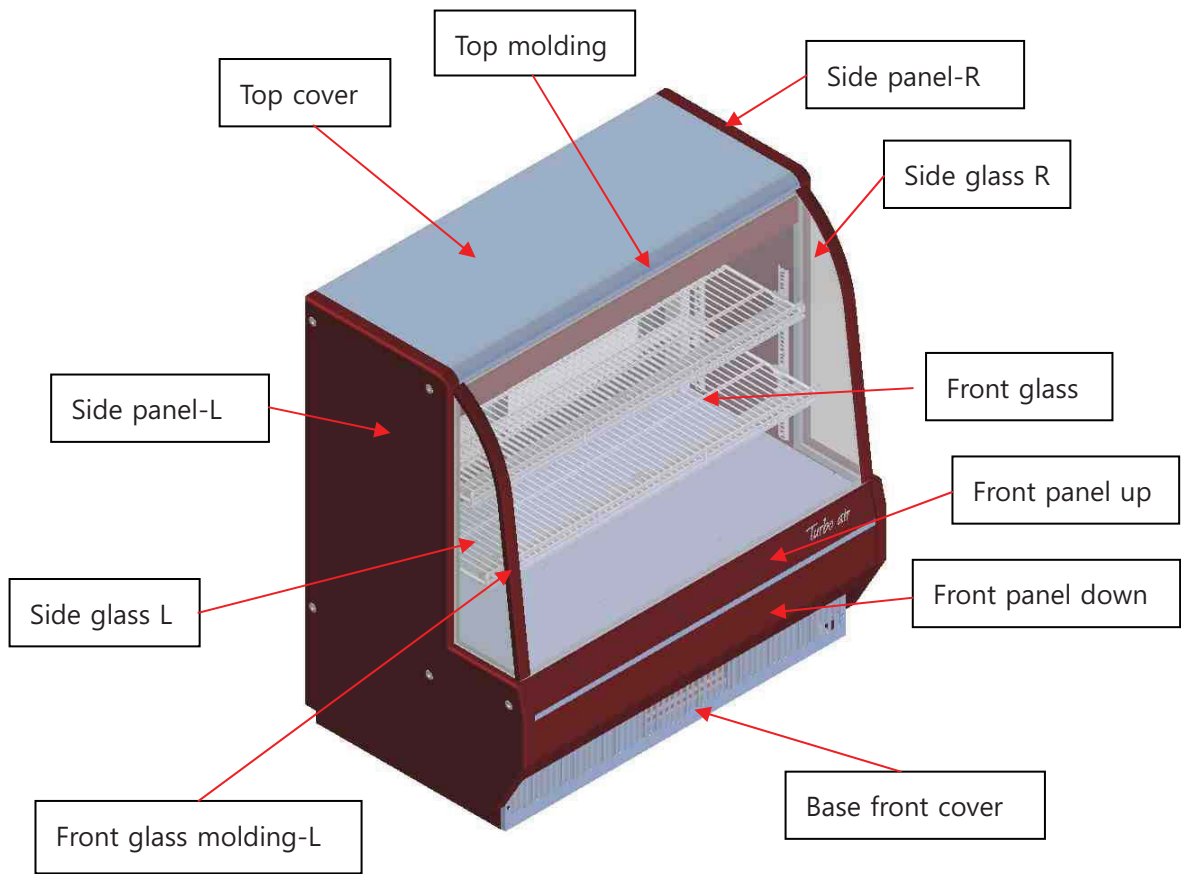
◇ TEMPERATURE CONTROL INSTRUCTION

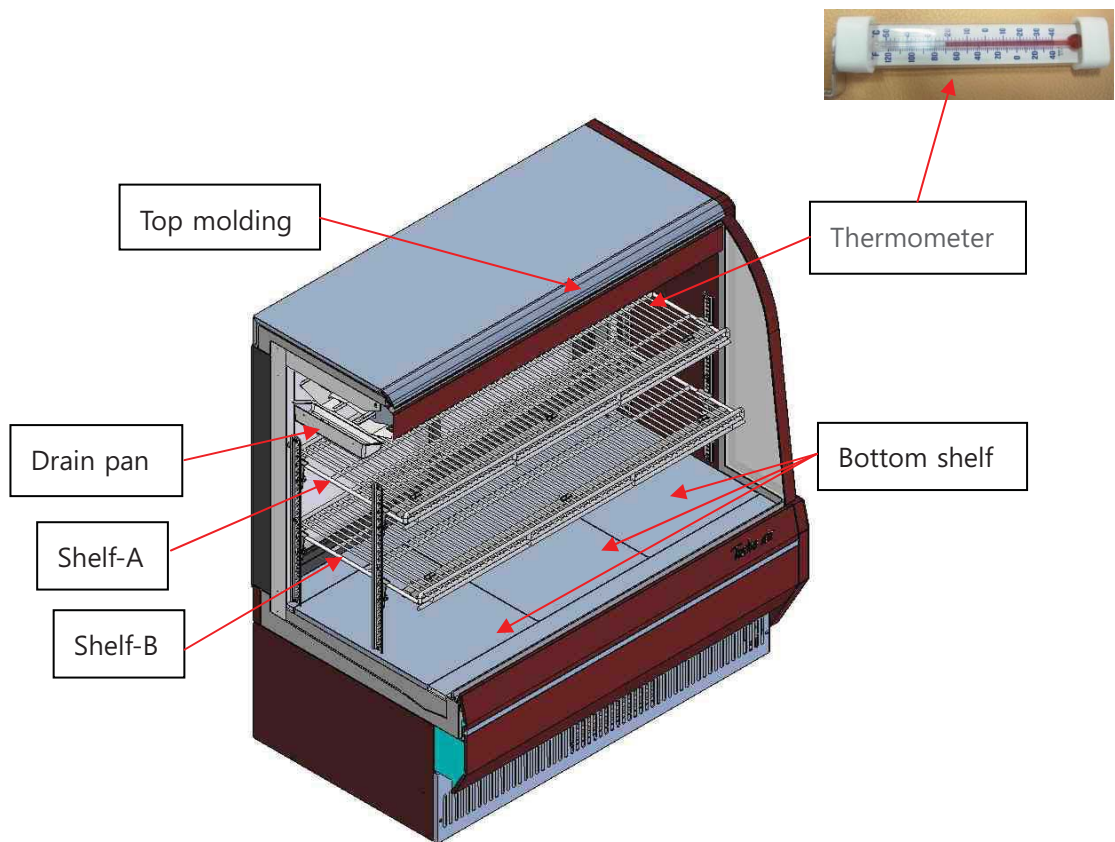
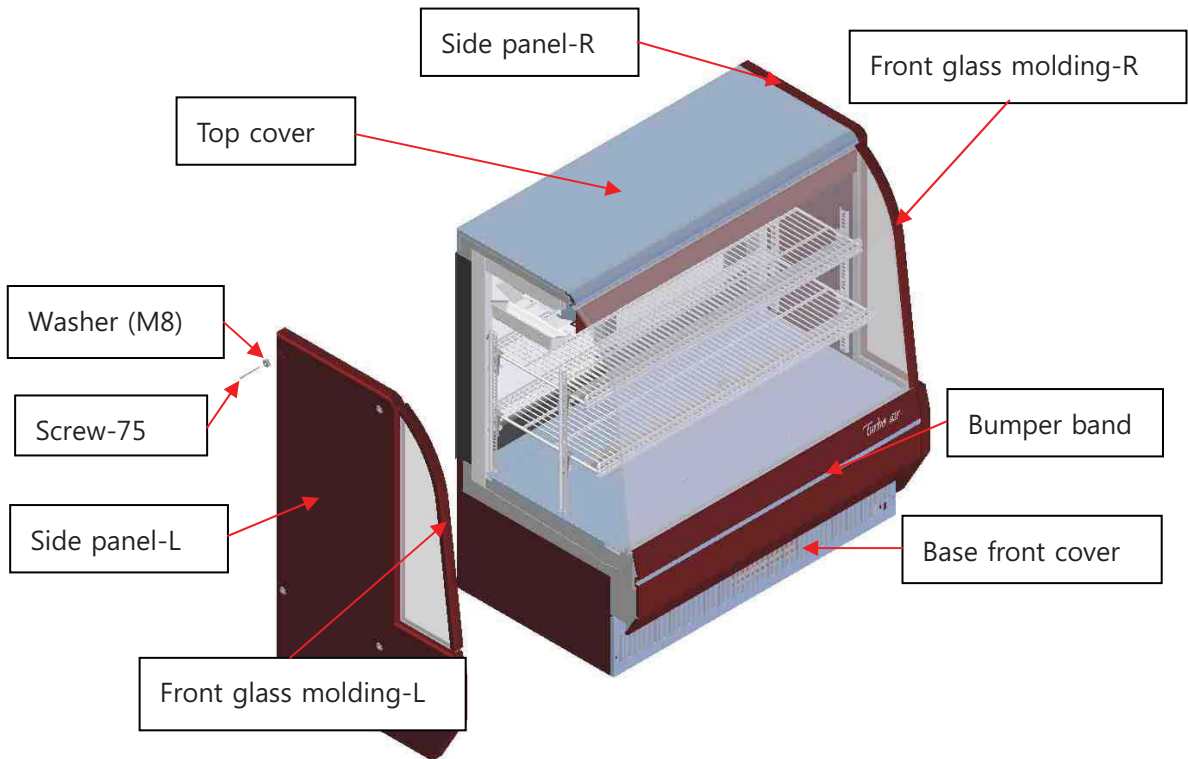
The temperature control is located near the back on the left side near the top.

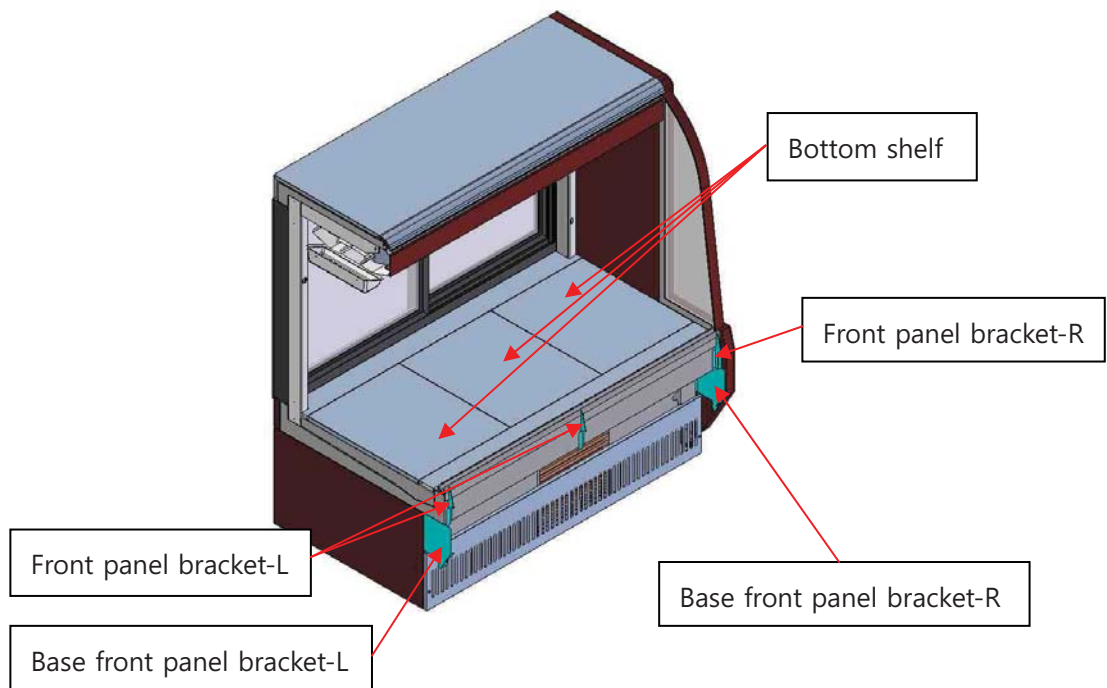
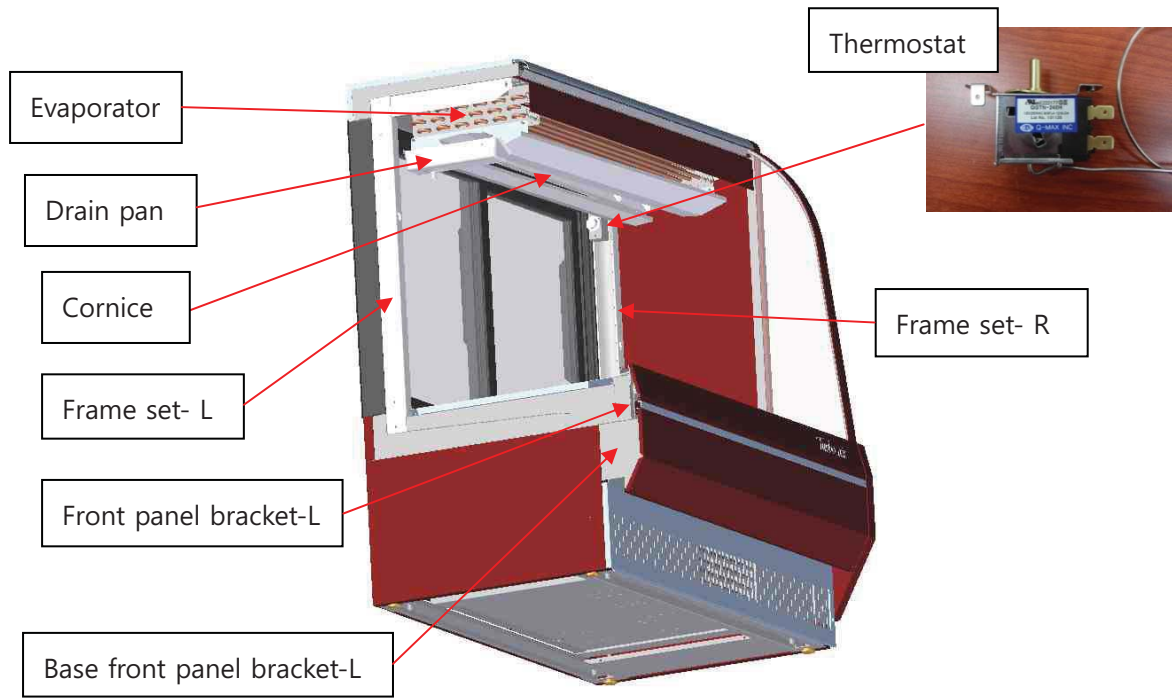
1. The original setting for the control is Normal.
2. The working temperature is from 37°F to 40°F.
3. To lower the temperature, turn the knob slightly to “COLD”. To raise the temperature, turn the knob to “WARM”.
4. In case of icing due to the hike of ambient temperature or humidity, turn the knob slightly to “WARM”.

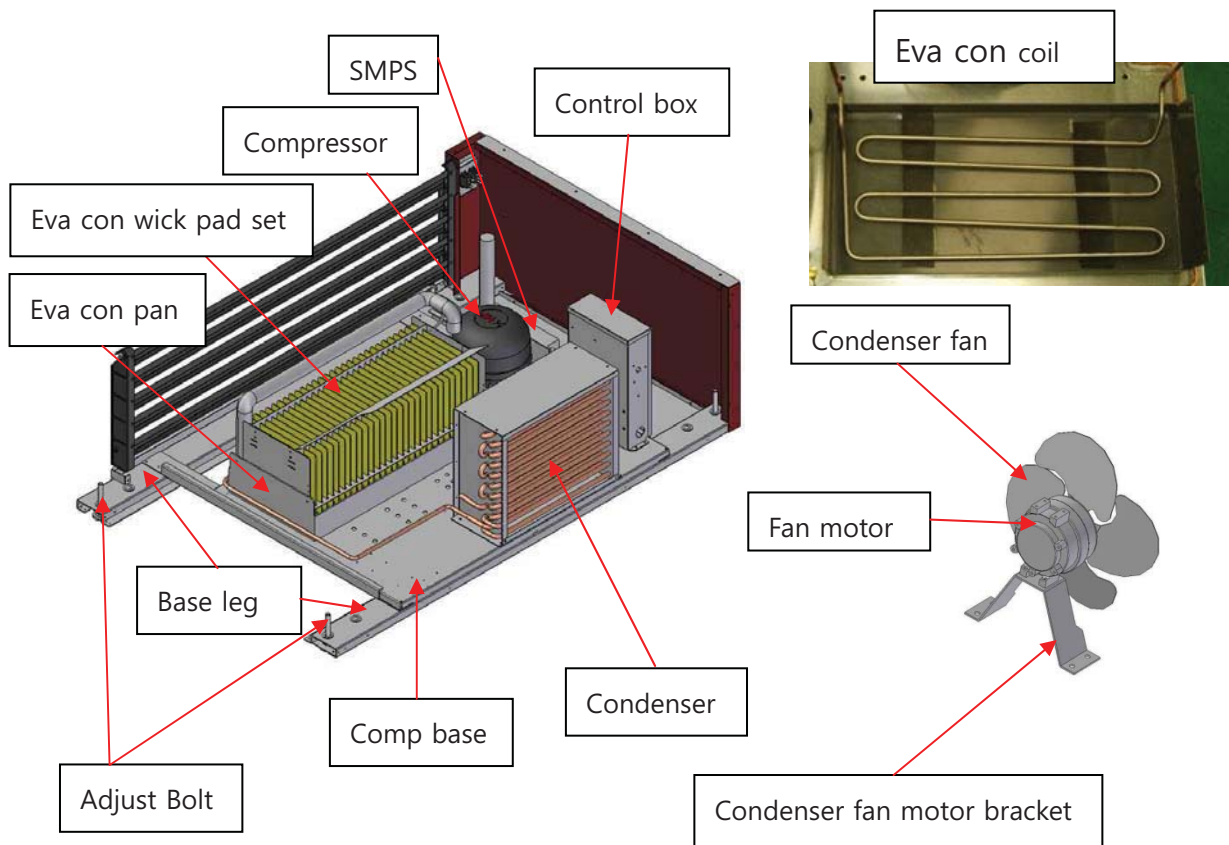
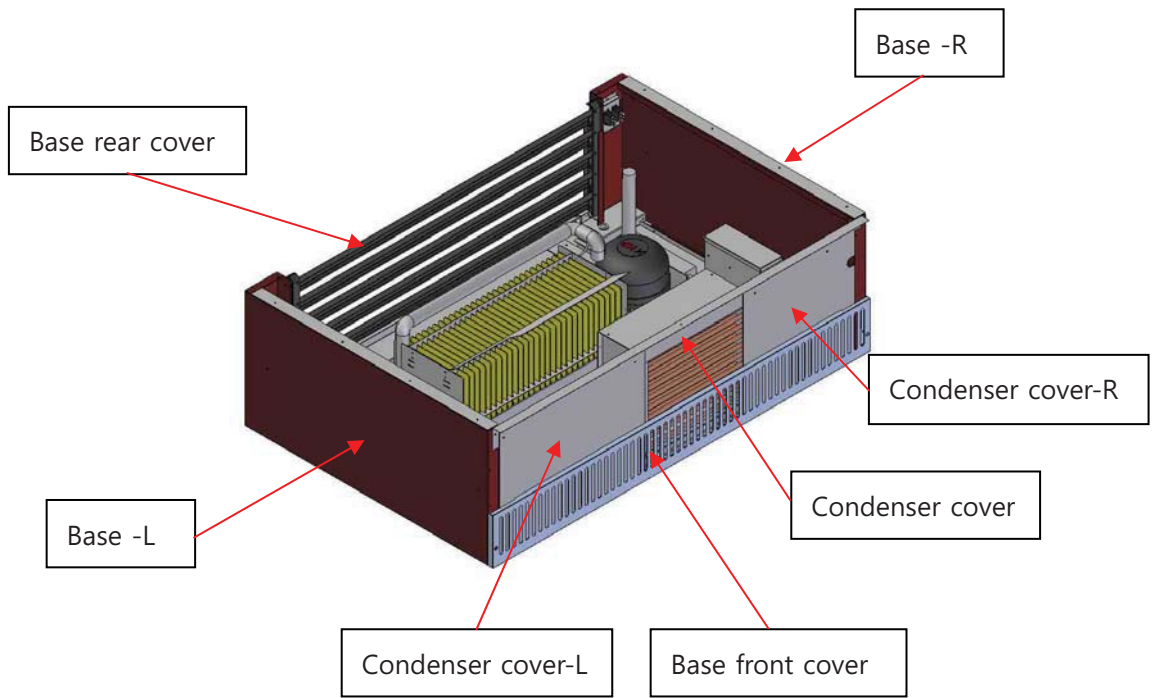
[Display is designed to be in an area that is ambient 75 degrees Fahrenheit (dry bulb) or colder and 55 percent relative humidity.]

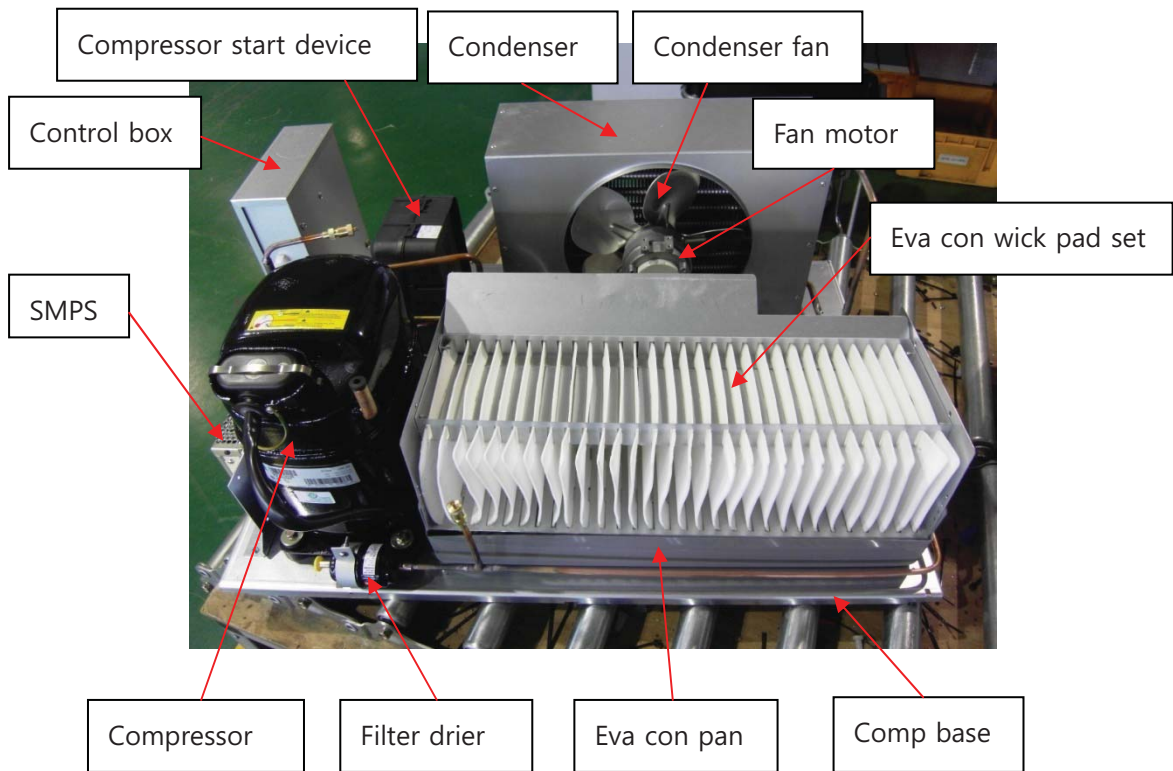
PART NAME



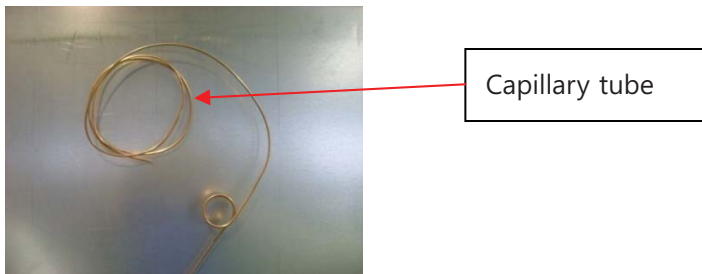




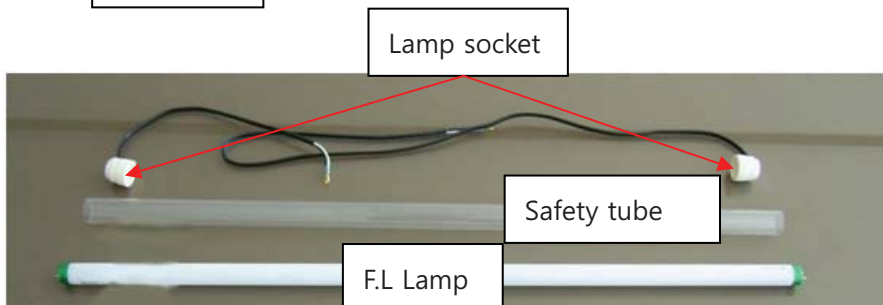
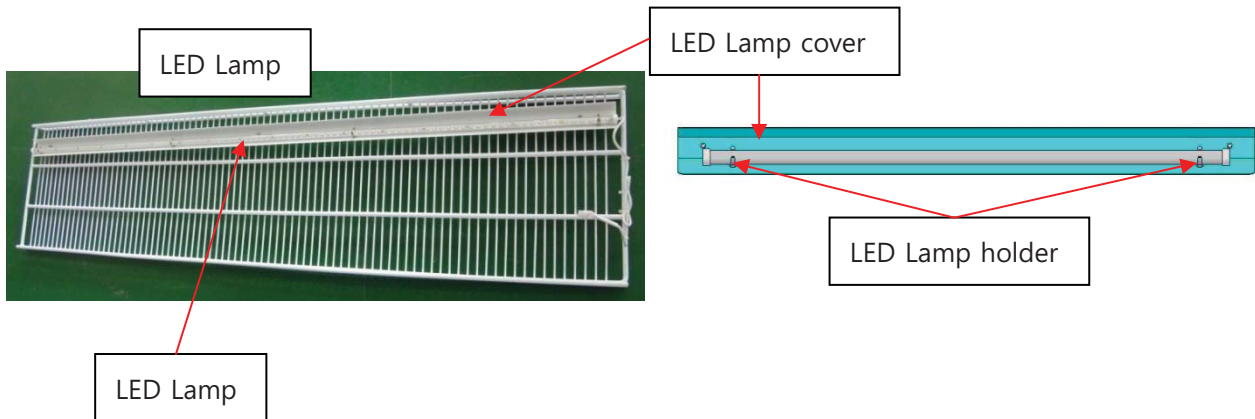
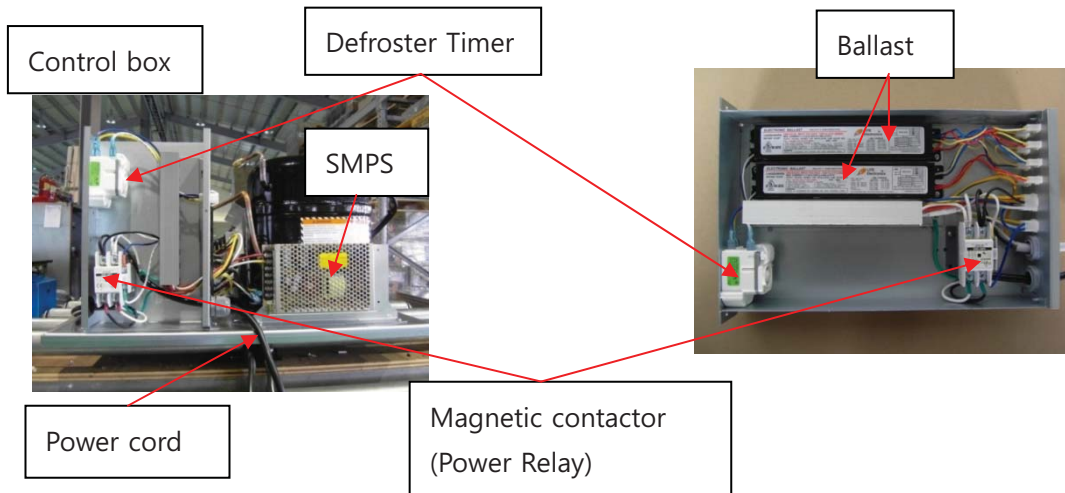
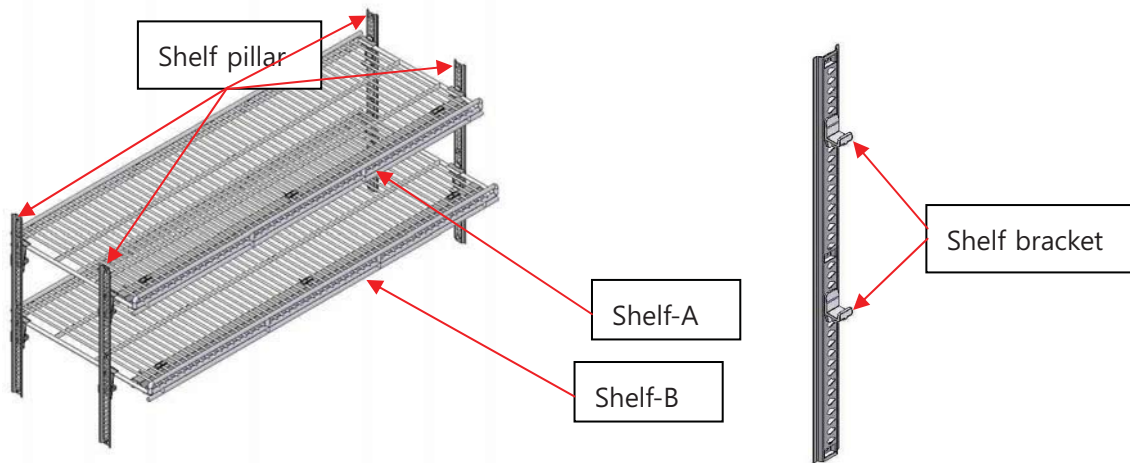


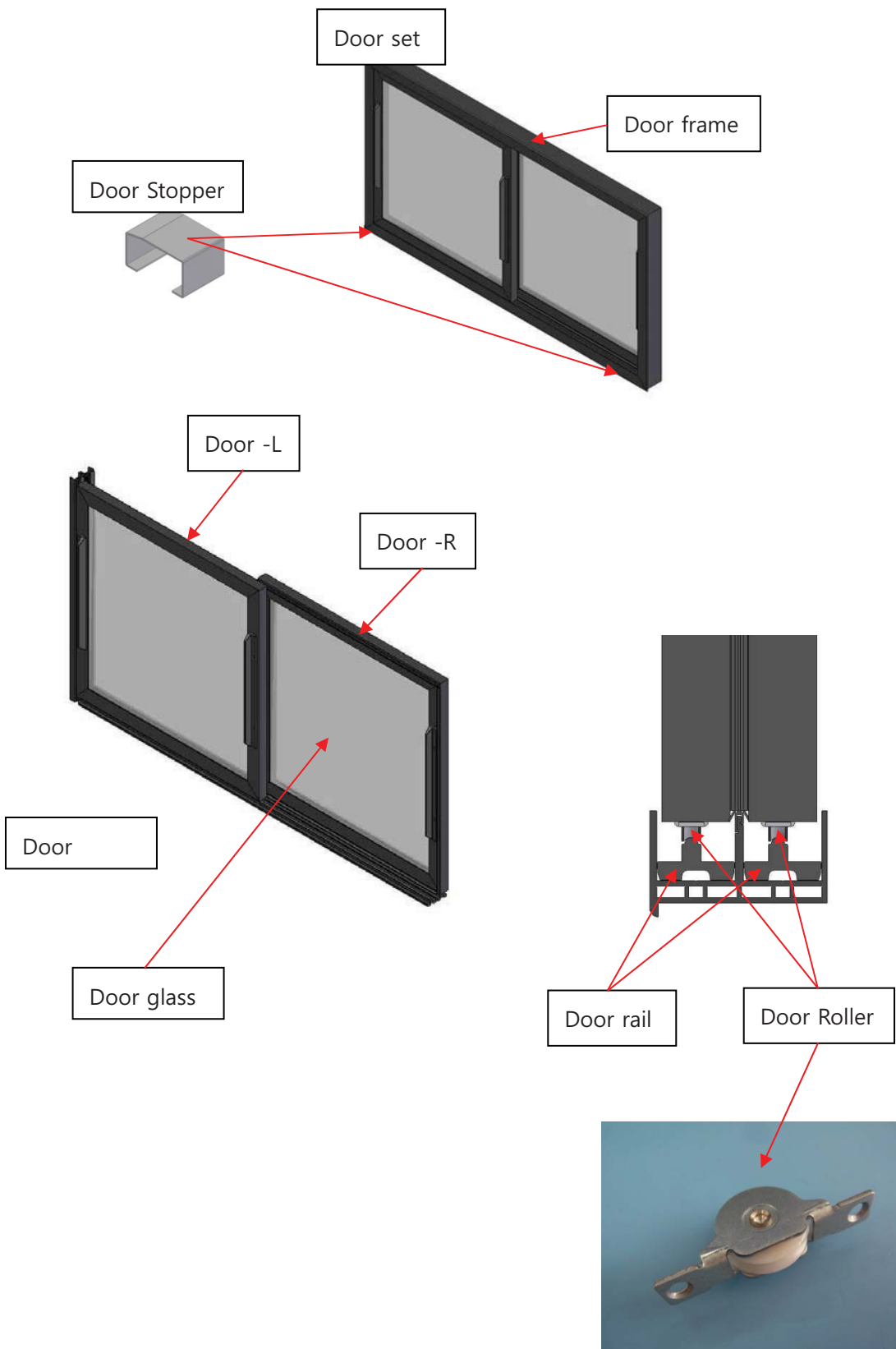


Capillary tube



	Capillary tube		Refrigerant		Compressor
	(inside diameter)	Length			
TCDD-36-2-H(*)	2.8 mm, (1.48 mm)	2.6 m	R134a	400g	HK6A1C2U
TCDD-48-2-H(*)	2.8 mm, (1.48 mm)	2.2 m	R134a	450g	HK6A1C2U
TCDD-72-2-H(*)	3.0 mm, (1.6 mm)	3.5 m	R134a	700g	CAJ4476Y
TCDD-96-2H(*)	3.0 mm, (1.6 mm)	3.2 m	R134a	800g	CAJ4476Y
TCDD-36-2-L(*)	2.8 mm, (1.48 mm)	2.6 m	R134a	400g	HK6A1C2U
TCDD-48-2-L(*)	2.8 mm, (1.48 mm)	2.2 m	R134a	450g	HK6A1C2U
TCDD-72-2-L(*)	3.0 mm, (1.6 mm)	3.5 m	R134a	700g	CAJ4476Y
TCDD-96-2-L(*)	3.0 mm, (1.6 mm)	3.2 m	R134a	800g	CAJ4476Y





	PART NAME	TCDD-36-2		TCDD-48-2		TCDD-72-2		TCDD-96-2		NOTE
		L	H	L	H	L	H	L	H	
42	FRAME SET-L	1	1	1	1	1	1	1	1	
43	FRAME SET-R	1	1	1	1	1	1	1	1	
44	FRONT GLASS	1	1	1	1	1	1	1	1	
45	FRONT GLASS MOLDING-L	1	1	1	1	1	1	1	1	
46	FRONT GLASS MOLDING-R	1	1	1	1	1	1	1	1	
47	FRONT PANEL BRACKET-L	2	2	2	2	2	2	2	2	
48	FRONT PANEL BRACKET-R	1	1	1	1	2	2	2	2	
49	FRONT PANEL DOWN	1	1	1	1	1	1	1	1	
50	FRONT PANEL UP	1	1	1	1	1	1	1	1	
51	LAMP SOCKET	4	6	4	6	4	6	8	12	
52	LAMP SWITCH	1	1	1	1	1	1	1	1	
53	LED LAMP	2	3	2	3	2	3	4	6	
54	LED LAMP COVER	1	1	1	1	1	1	1	1	
55	LED LAMP HOLDER	6	9	6	9	8	12	12	18	
56	MAGNETIC CONTACTOR	1	1	1	1	1	1	1	1	
57	POWER CORD	1	1	1	1	1	1	1	1	NEMA5-15P
58	POWER SWITCH	1	1	1	1	1	1	1	1	
59	SAFETY TUBE	2	3	2	3	2	3	4	6	
60	SCREW-75	10	10	10	10	10	10	10	10	
61	SHELF BRACKET	4	8	4	8	4	8	4	8	
62	SHELF PILLAR	4	4	4	4	4	4	4	4	
63	SHELF-A		1		1		1		2	
64	SHELF-B	1	1	1	1	1	1	2	2	
65	SIDE GLASS-L	1	1	1	1	1	1	1	1	
66	SIDE GLASS-R	1	1	1	1	1	1	1	1	
67	SIDE PANEL-L	1	1	1	1	1	1	1	1	
68	SIDE PANEL-R	1	1	1	1	1	1	1	1	
69	SMPS	1	1	1	1	1	1	1	1	
70	THERMOMETER	1	1	1	1	1	1	1	1	
71	THERMOSTAT	1	1	1	1	1	1	1	1	
72	TOP COVER	1	1	1	1	1	1	1	1	
73	TOP MOLDING	1	1	1	1	1	1	1	1	
74	WASHER (M8)	10	10	10	10	10	10	10	10	
75										

◇ **PART ORDER EXAMPLE**

Example: TCDD-48-2-W. FRONT GLASS MOLDING-R. QTY